



ASTRONERGY

ASTRO N5

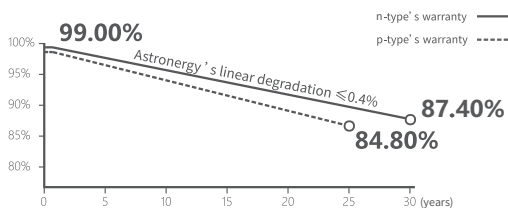
CHSM72N(DG)/F-HC
Monofacial Series

570~595W

Warranty

15 15-year Product Warranty

30 30-year Linear Power Warranty



Key Features

- TOPCon / Half-cut
- Low temperature coefficient (Pmpp)
- Non-destructive cutting
- PID resistance
- Low BOS cost & LCOE



ISO 9001:2015:ISO Quality Management System
ISO 14001:2015:ISO Environment Management System
ISO 45001:Occupational Health and Safety
The first solar company which passed the Nord IEC/TS 62941 certification audit



Tier 1
BloombergNEF



570~595W

POWER RANGE

0~+3%

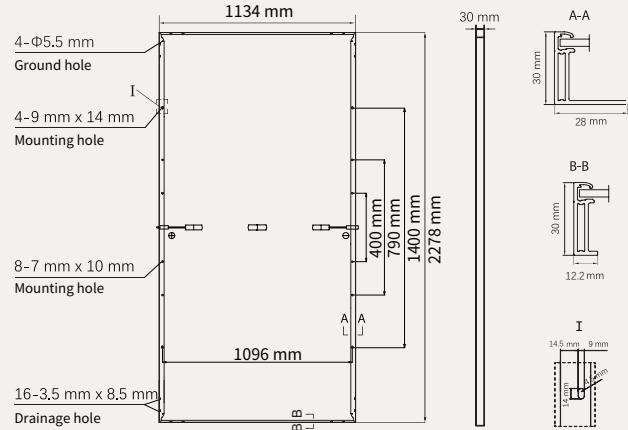
POWER SORTING

23.0%MAX MODULE
EFFICIENCY**≤ 1.0%**FIRST YEAR
POWER DEGRADATION**≤ 0.4%**YEAR 2-30
POWER DEGRADATION

Mechanical Specifications

Outer dimensions (L x W x H)	2278 x 1134 x 30 mm
Cell type	n-type mono-crystalline
No. of cells	144 (6*24)
Frame technology	Aluminum, silver anodized
Front / Back glass	2.0+2.0 mm
Cable length (Including connector)	Portrait: (+)350 mm, (-)250 mm; Customized length
Cable diameter (IEC/UL)	4 mm ² / 12 AWG
① Maximum mechanical test load	5400 Pa (front) / 2400 Pa (back)
Connector type (IEC/UL)	HCB40 (Standard) / MC4-EVO2A (Optional)
Module weight	32.1 kg
Packing unit	36 pcs / box
Weight of packing unit (for 40'HQ container)	1207 kg
Modules per 40' HQ container	720 pcs (Subject to sales contract)

① Refer to Astronergy crystalline installation manual or contact technical department.
Maximum Mechanical Test Load=1.5×Maximum Mechanical Design Load.



Electrical Specifications

STC: Irradiance 1000W/m², Cell Temperature 25° C, AM=1.5

	570	575	580	585	590	595
Rated output (Pmpp / Wp)	570	575	580	585	590	595
Rated voltage (Vmpp / V)	43.70	43.82	43.95	44.08	44.20	44.33
Rated current (Impp / A)	13.04	13.12	13.20	13.27	13.35	13.42
Open circuit voltage (Voc / V)	52.00	52.15	52.30	52.45	52.60	52.75
Short circuit current (Isc / A)	13.79	13.89	13.98	14.08	14.18	14.26
Module efficiency	22.1%	22.3%	22.5%	22.6%	22.8%	23.0%

NMOT: Irradiance 800W/m², Ambient Temperature 20° C, AM=1.5, Wind Speed 1m/s

	428.6	432.4	436.2	439.9	443.7	447.4
Rated output (Pmpp / Wp)	428.6	432.4	436.2	439.9	443.7	447.4
Rated voltage (Vmpp / V)	41.13	41.25	41.37	41.49	41.60	41.72
Rated current (Impp / A)	10.42	10.48	10.54	10.60	10.66	10.72
Open circuit voltage (Voc / V)	49.39	49.54	49.68	49.82	49.96	50.11
Short circuit current (Isc / A)	11.13	11.21	11.29	11.37	11.45	11.51

Temperature Ratings (STC)

Temperature coefficient (Pmpp)	-0.29%/°C	No. of diodes	3
Temperature coefficient (Isc)	+0.043%/°C	Junction box IP rating	IP 68
Temperature coefficient (Voc)	-0.25%/°C	Max. series fuse rating	25 A
Nominal module operating temperature (NMOT)	41±2°C	Max. system voltage (IEC/UL)	1500V _{DC}

Operating Parameters

Curve

